



FT-043



FT-044

The range of Fristom FT-043 and FT-044 LED lamps can easily utilize both AC and DC polarity, which allows to replace already existing 12V standard halogen lamps using the same currency transformers. You can also follow the economy choosing ordinary 230/12V toroidal or appropriate electronic transformers.

Wherever electricity saving is particularly important, like in battery powered installations (yachts, camping) our FT-043 and FT-044 LED lamps work properly although the battery is initially depleted below 12V.

- Pleasant warm light color
- Shock and vibration resistance
- Water resistance
- Up to 50.000 hours of continuous operation
- Light beam comparable to the 12V/20W standard bulb
- Other color versions also available upon request



**Technical data:**

4-LED's technology

Input voltage range: 9 - 36V AC/DC

Rated power: 2,8 W

Power consumption: 12V - 0,23A; 24V - 0,115A

Light color temperature: "Warm white"

Durability: Up to 50.000 hours

Light beam: Equivalent with 12V/20W standard bulb

Certificates:

- Water resistance - IP 68
- Shock resistance - IK 03



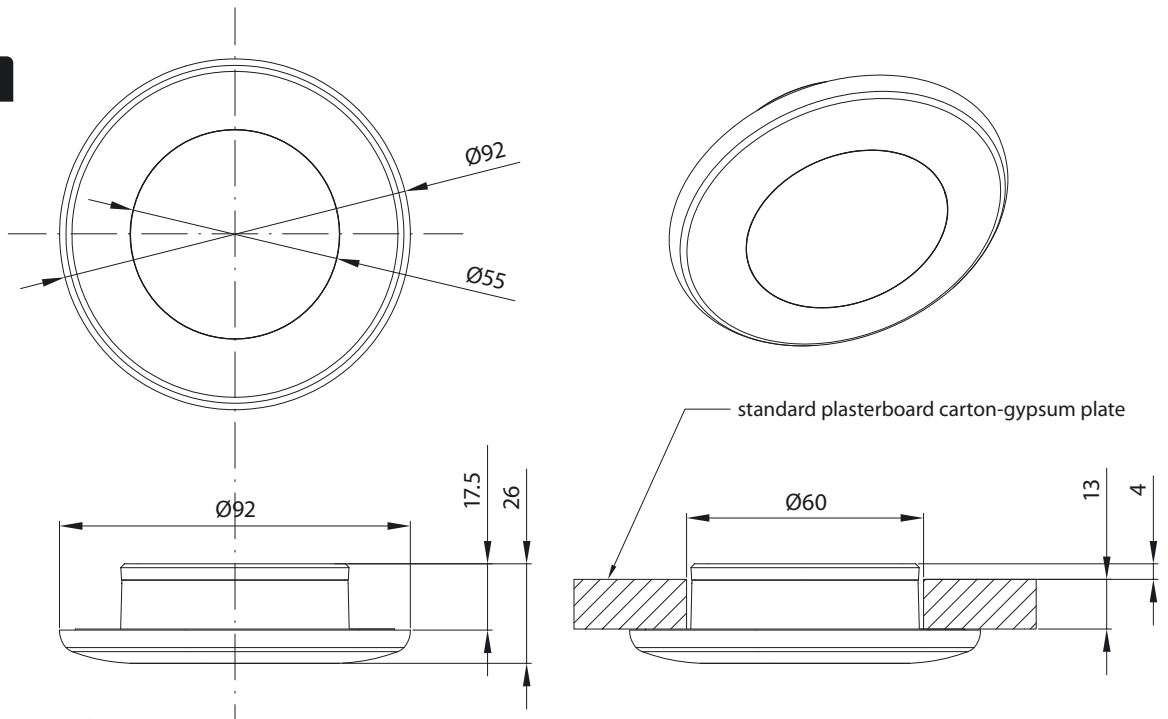
To choose the correct power of the transformer, please follow the instructions:

**Number of LED lamps × 2,8W = xxx W + 15%**

Example: 15 LED lamps × 2,8W = 42W + 15%  
= transformer power min. 48W



**FT-043**



**FT-043 B** 4-LED interior lamp, round with replaceable frame in white color.



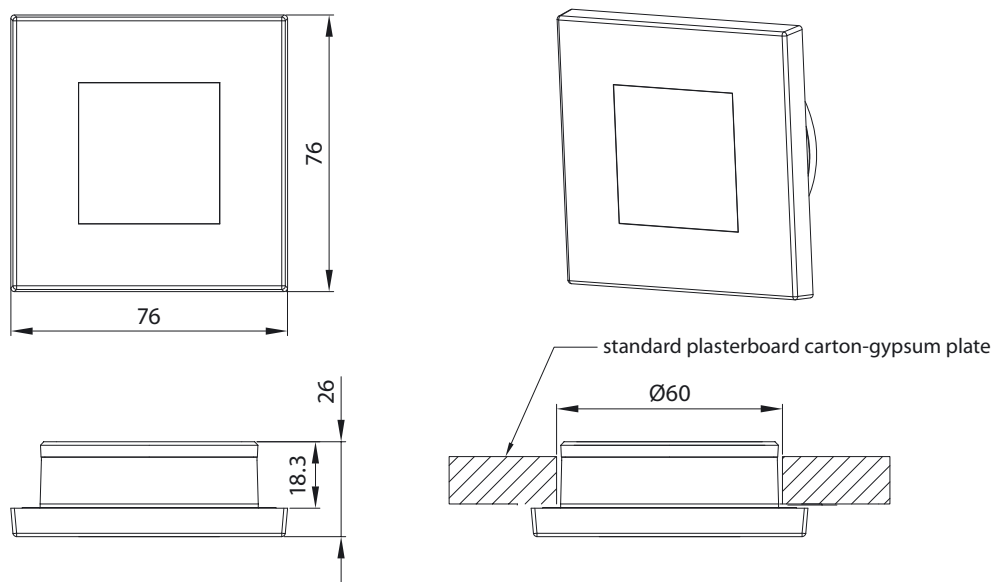
**FT-043 S** 4-LED interior lamp, round with replaceable frame in silver color.



**FT-043 ZL** 4-LED interior lamp, round with replaceable frame in gold color.

Other color versions also available upon request.

**FT-044**



**FT-044 B** 4-LED interior lamp, square with replaceable frame in white color.



**FT-044 S** 4-LED interior lamp, square with replaceable frame in silver color.



**FT-044 ZL** 4-LED interior lamp, square with replaceable frame in gold color.

Other color versions also available upon request.